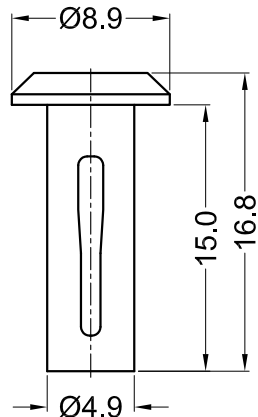
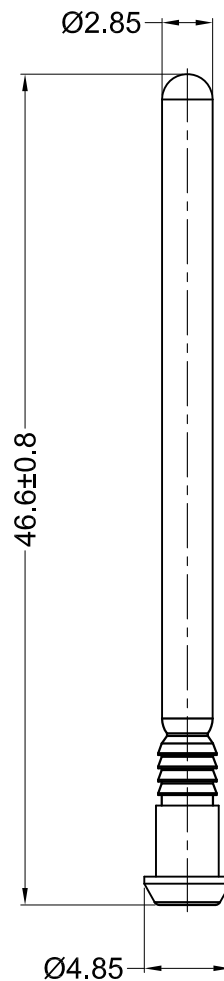


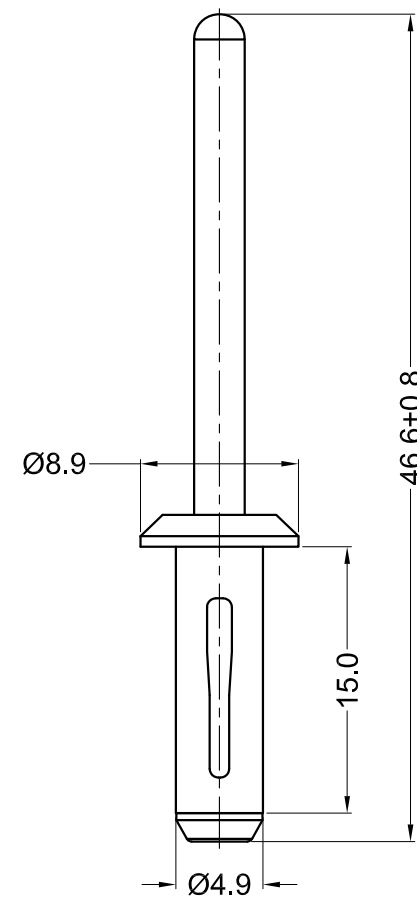
### Body



### Pin



### Assembly Part

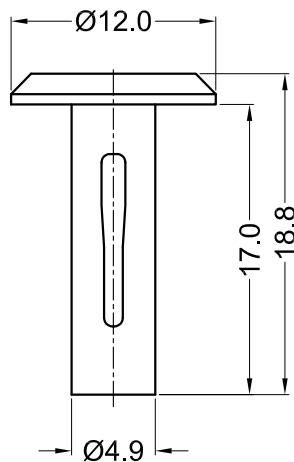


#### Notes:

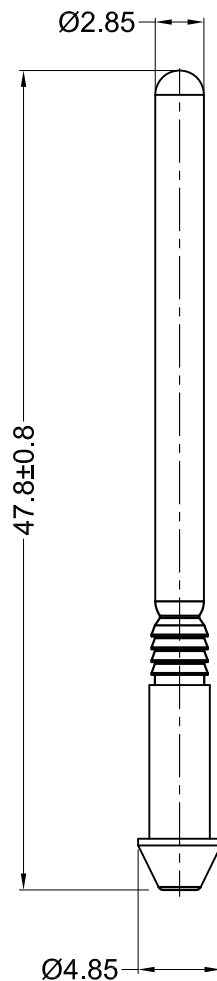
1. Material: PA6 UL94V2 (Body)  
POM UL94HB (Pin);
2. Color: Black;
3. RoHS Compliant;
4. Hole:  $\text{Ø}5.0^{+0.1}_0$  mm;  
Panel Thickness: 3.0-4.0 mm.

Gecko International Co.						DATE	2016-8-30	DIMENSION		TOLERANCE	
TITLE	BLIND RIVETS					SCALE	FIT	$L \leq 4$	$\pm 0.10$		
PART NAME	G4907293A	MOLD NO.	S0650/651	DRAW	ZHR	UNIT	MM	$4 < L \leq 15$	$\pm 0.20$		
PART NO.	20699	MATERIAL	SEE NOTES	DESIGN	ZHR	VERSION	A0	$15 < L \leq 50$	$\pm 0.30$		
DWG NO.	E2227	COLOR	SEE NOTES	APPROVAL	FDL	VIEW		$50 < L \leq 100$	$\pm 0.40$		

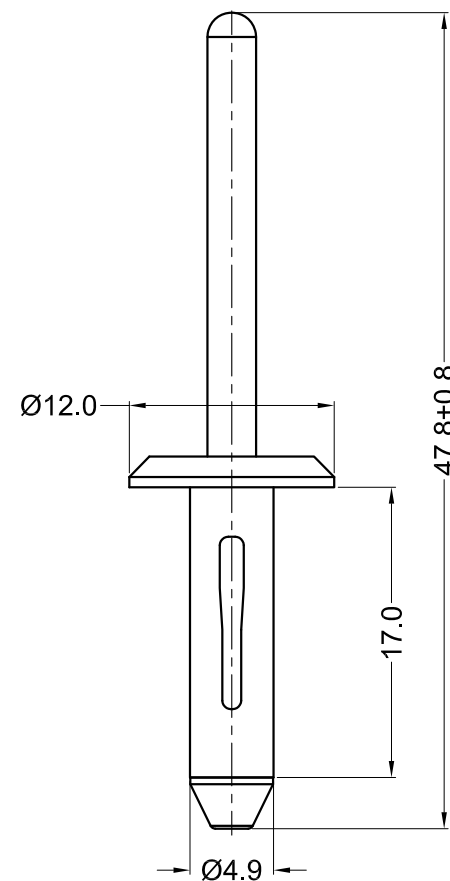
### Body



### Pin



### Assembly Part

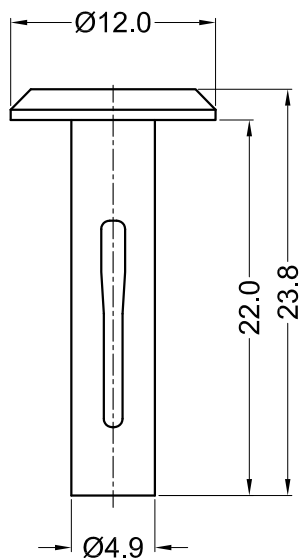


**Notes:**

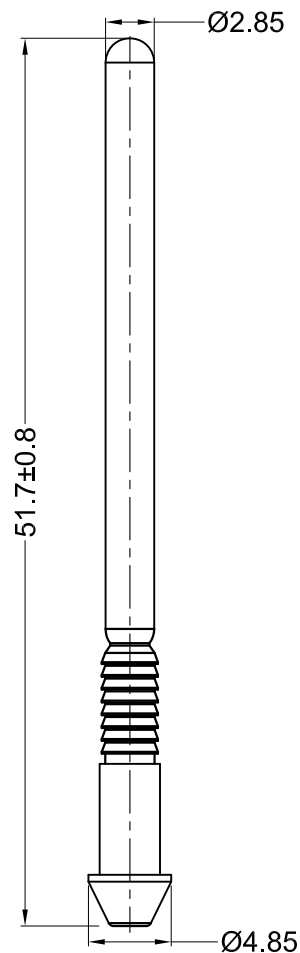
- 1. Material: PA6 UL94V2 (Body)  
POM UL94HB (Pin);
- 2. Color: Black;
- 3. RoHS Compliant;
- 4. Hole:  $\text{Ø}5.0^{+0.1}_0$  mm;  
Panel Thickness: 3.0-6.0 mm.

Gecko International Co.						DATE	2012-10-28	DIMENSION	TOLERANCE
TITLE	BLIND RIVETS					SCALE	FIT	$L \leq 4$	$\pm 0.10$
PART NAME	G4907293B	MOLD NO.	S0651/652	DRAW	ZHR	UNIT	MM	$4 < L \leq 15$	$\pm 0.20$
PART NO.	20700	MATERIAL	SEE NOTES	DESIGN	ZHR	VERSION	A0	$15 < L \leq 50$	$\pm 0.30$
DWG NO.	E2229	COLOR	SEE NOTES	APPROVAL	FDL	VIEW		$50 < L \leq 100$	$\pm 0.40$

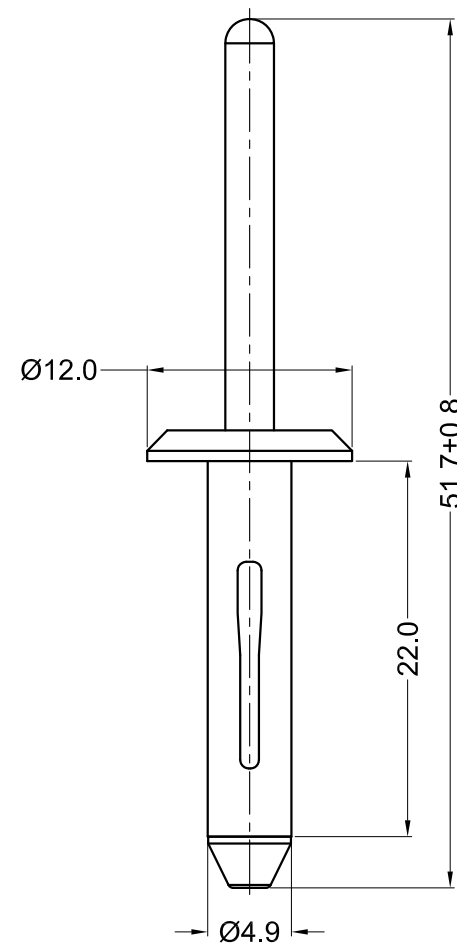
### Body



### Pin



### Assembly Part

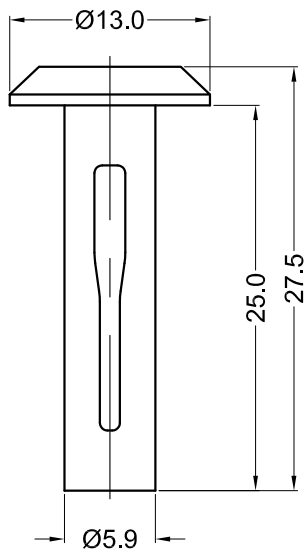


**Notes:**

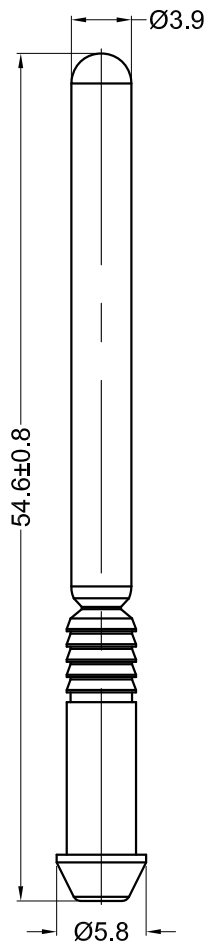
- 1. Material: PA6 UL94V2 (Body)  
POM UL94HB (Pin);
- 2. Color: Black;
- 3. RoHS Compliant;
- 4. Hole:  $\text{Ø}5.0^{+0.1}_0$  mm;  
Panel Thickness: 6.0-10.0 mm.

Gecko International Co.						DATE	2015-1-5	DIMENSION		TOLERANCE	
TITLE	BLIND RIVETS					SCALE	FIT	L ≤ 4	±0.10		
PART NAME	G4907293C	MOLD NO.	S0651/653	DRAW	ZHR	UNIT	MM	4 < L ≤ 15	±0.20		
PART NO.	20701	MATERIAL	SEE NOTES	DESIGN	ZHR	VERSION	A0	15 < L ≤ 50	±0.30		
DWG NO.	E2231	COLOR	SEE NOTES	APPROVAL	FDL	VIEW		50 < L ≤ 100	±0.40		

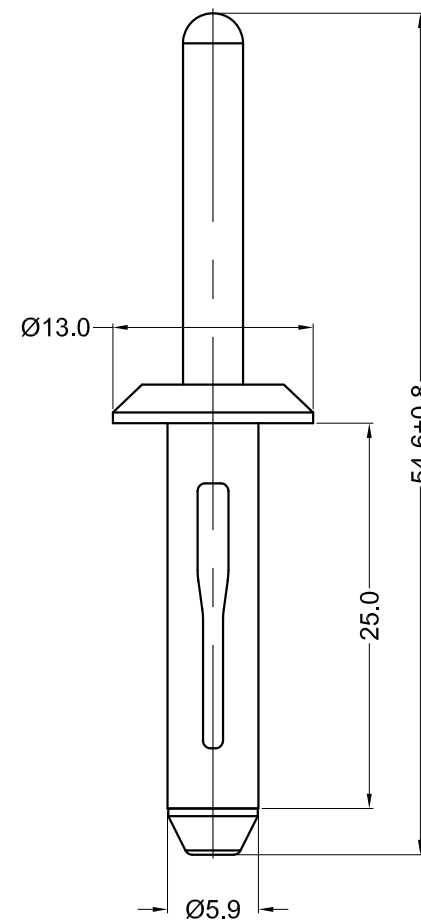
### Body



### Pin



### Assembly Part

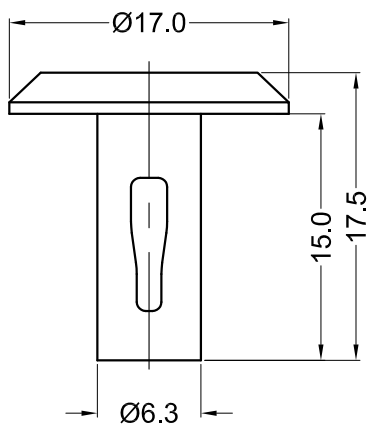


**Notes:**

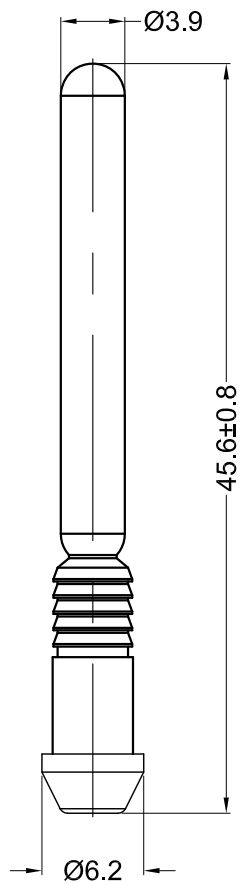
- 1.Material:PA6 UL94V2(Body)  
POM UL94HB(Pin);
- 2.Color:Black;
- 3.RoHS Compliant;
- 4.Hole:Ø6.0<sup>+0.1</sup><sub>0</sub>mm;  
Panel Thickness:4.0-8.5mm.

Gecko International Co.						DATE	2012-9-27	DIMENSION		TOLERANCE	
TITLE	BLIND RIVETS					SCALE	FIT	L≤4	±0.10		
PART NAME	G4907293D	MOLD NO.	S0661/662	DRAW	ZHR	UNIT	MM	4 < L ≤ 15	±0.20		
PART NO.	20706	MATERIAL	SEE NOTES	DESIGN	ZHR	VERSION	A0	15 < L ≤ 50	±0.30		
DWG NO.	E2241	COLOR	SEE NOTES	APPROVAL	FDL	VIEW		50 < L ≤ 100	±0.40		

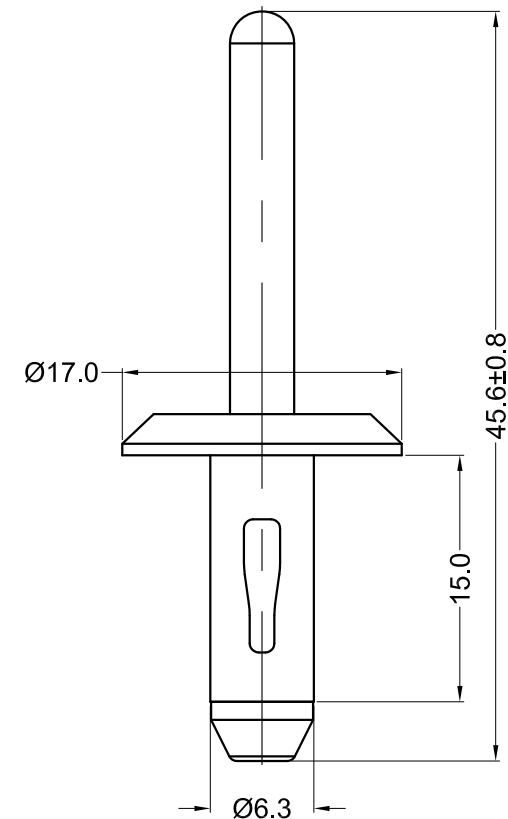
### Body



### Pin



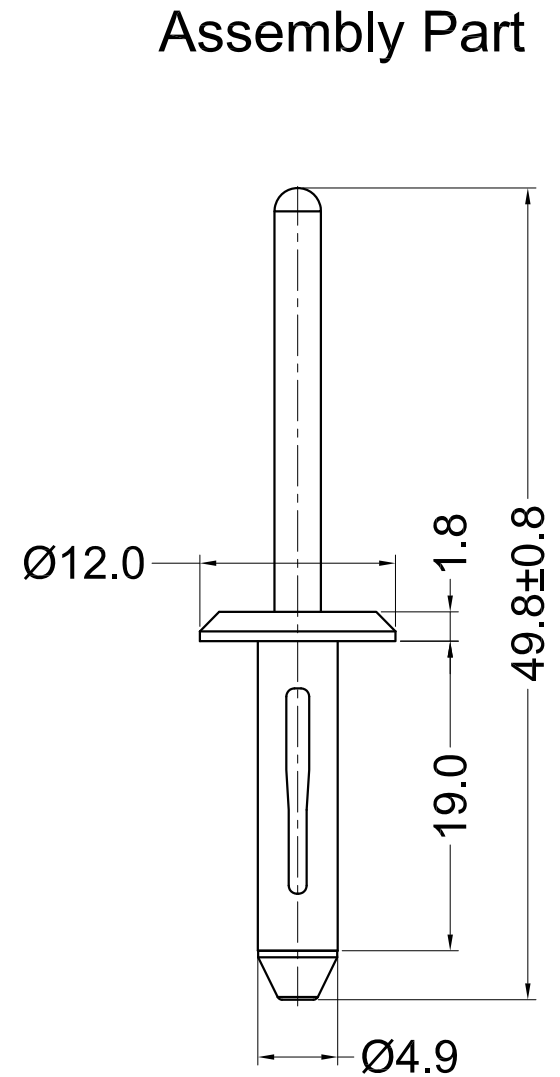
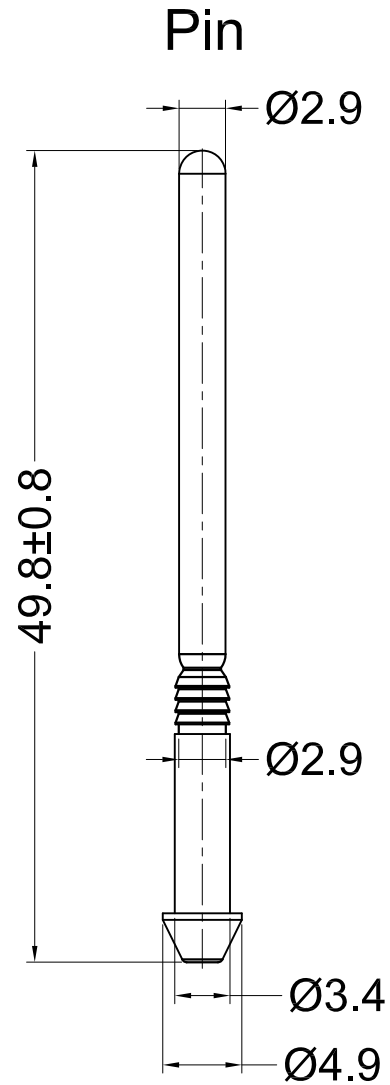
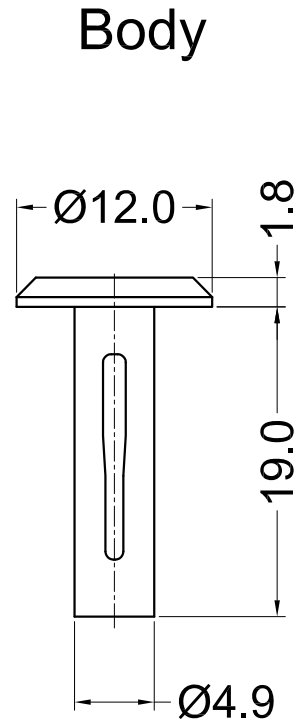
### Assembly Part



#### Notes:

1. Material: PA6 UL94V2 (Body)  
POM UL94HB (Pin);
2. Color: Black;
3. RoHS Compliant;
4. Hole:  $\text{Ø}6.4^{+0.1}_0$  mm;  
Panel Thickness: 4.0-6.0 mm;

Gecko International Co.						DATE	2021-9-13	DIMENSION		TOLERANCE	
TITLE	BLIND RIVETS					SCALE	FIT	$L \leq 4$	$\pm 0.10$		
ARTICLE NO.	G4907293E	MOLD NO.	S0665/666	DRAW	JF	UNIT	MM	$4 < L \leq 15$	$\pm 0.20$		
PART NO.	20708	MATERIAL	SEE NOTES	DESIGN	JF	VERSION	A0	$15 < L \leq 50$	$\pm 0.30$		
DWG NO.	E2243	COLOR	SEE NOTES	APPROVAL	FDL	VIEW		$50 < L \leq 100$	$\pm 0.40$		

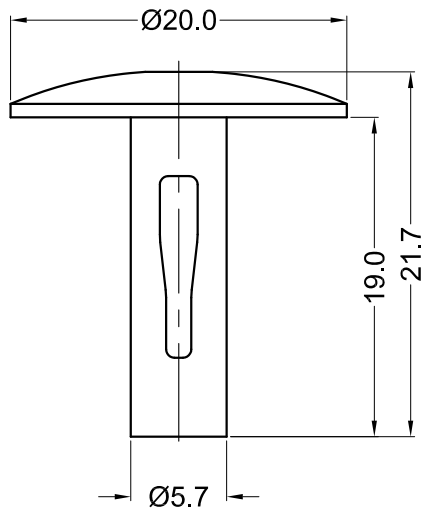


Notes:

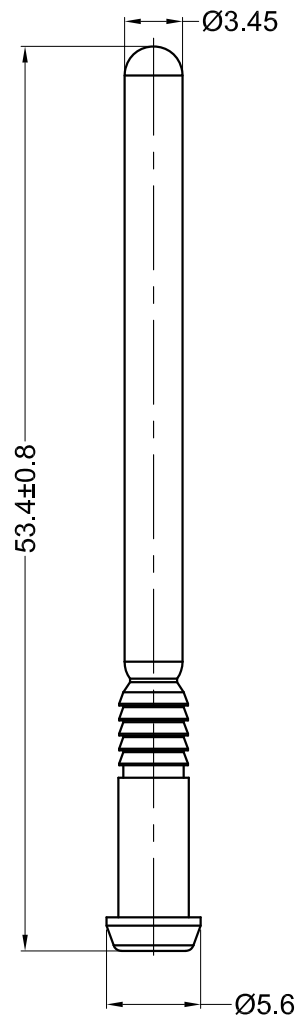
1. Material: PA6 UL94V2 (Body)  
POM UL94HB (Pin);
2. Color: Black;
3. RoHS Compliant;
4. Hole:  $\text{Ø}5.0^{+0.1}_0$  mm;  
Panel Thickness: 3.0-7.2 mm.

Gecko International Co.						DATE	2021-9-15	DIMENSION		TOLERANCE	
TITLE	BLIND RIVETS					SCALE	FIT	$L \leq 4$	$\pm 0.10$		
PART NAME	G4907293F	MOLD NO.	S0650/651	DRAW	JF	UNIT	MM	$4 < L \leq 15$	$\pm 0.20$		
PART NO.	20797	MATERIAL	SEE NOTES	DESIGN	JF	VERSION	A0	$15 < L \leq 50$	$\pm 0.30$		
DWG NO.	E2271	COLOR	SEE NOTES	APPROVAL	FDL	VIEW		$50 < L \leq 100$	$\pm 0.40$		

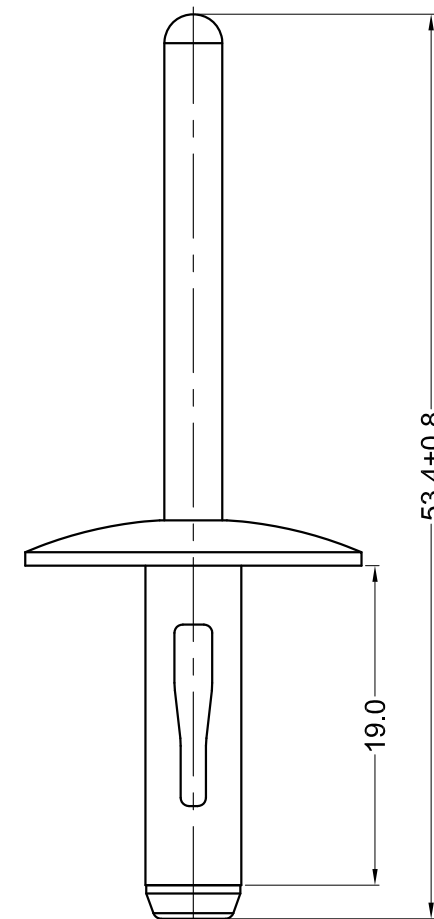
### Body



### Pin



### Assembly Part

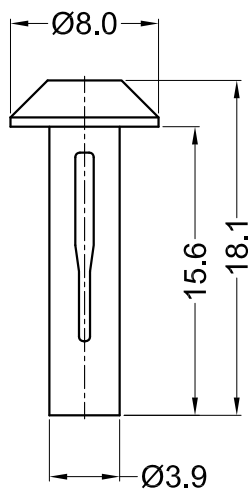


#### Notes:

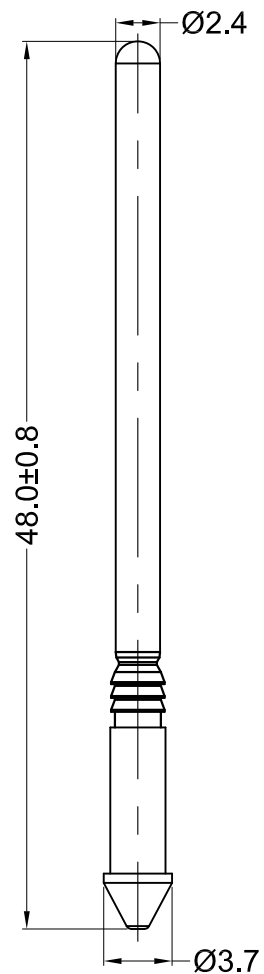
1. Material: PA6 UL94V2 (Body)  
POM UL94HB (Pin);
2. Color: Black;
3. RoHS Compliant;
4. Hole:  $\text{Ø}5.8^{+0.1}_0$  mm;  
Panel Thickness: 3.5-5.5 mm.

Gecko International Co.						DATE	2012-4-2	DIMENSION		TOLERANCE	
TITLE	BLIND RIVETS					SCALE	FIT	$L \leq 4$	$\pm 0.10$		
PART NAME	G49052980	MOLD NO.	S0616/617	DRAW	ZHR	UNIT	MM	$4 < L \leq 15$	$\pm 0.20$		
PART NO.	20889	MATERIAL	SEE NOTES	DESIGN	ZHR	VERSION	A0	$15 < L \leq 50$	$\pm 0.30$		
DWG NO.	E2217	COLOR	SEE NOTES	APPROVAL	FDL	VIEW		$50 < L \leq 100$	$\pm 0.40$		

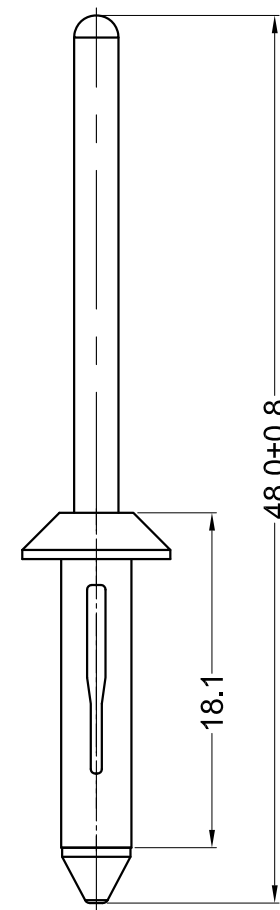
### Body



### Pin



### Assembly Part



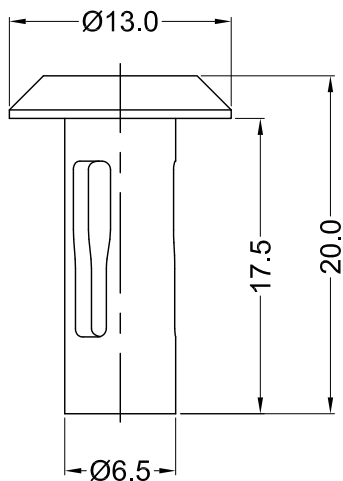
#### Notes:

1. Material: PA6 UL94V2 (Body)  
POM UL94HB (Pin);
2. Color: Black;
3. RoHS Compliant;
4. Hole:  $\text{Ø}4.0^{+0.1}_0$  mm;  
Panel Thickness: 1.5-4.5 mm.

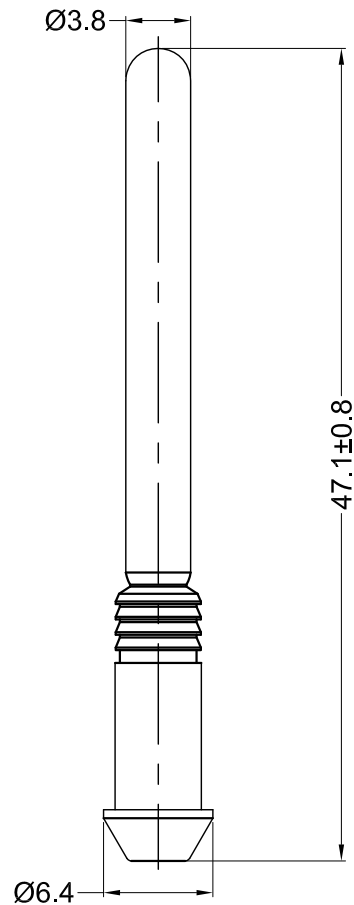
Gecko International Co.						DATE	2013-5-30	DIMENSION		TOLERANCE	
TITLE	BLIND RIVETS					SCALE	FIT	$L \leq 4$		$\pm 0.10$	
PART NAME	G49060810	MOLD NO.	S0618/619	DRAW	ZHR	UNIT	MM	$4 < L \leq 15$		$\pm 0.20$	
PART NO.	20890	MATERIAL	SEE NOTES	DESIGN	ZHR	VERSION	A0	$15 < L \leq 50$		$\pm 0.30$	
DWG NO.	E2219	COLOR	SEE NOTES	APPROVAL	FDL	VIEW		$50 < L \leq 100$		$\pm 0.40$	



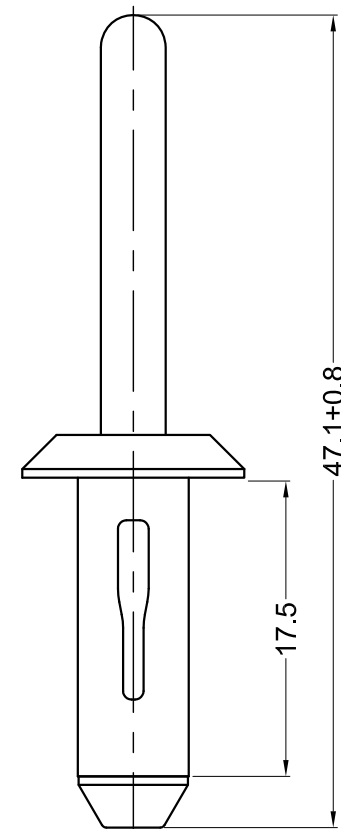
### Body



### Pin



### Assembly Part

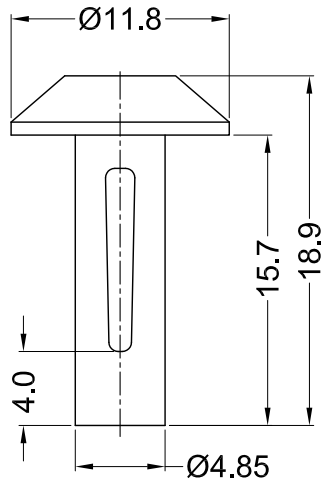


**Notes:**

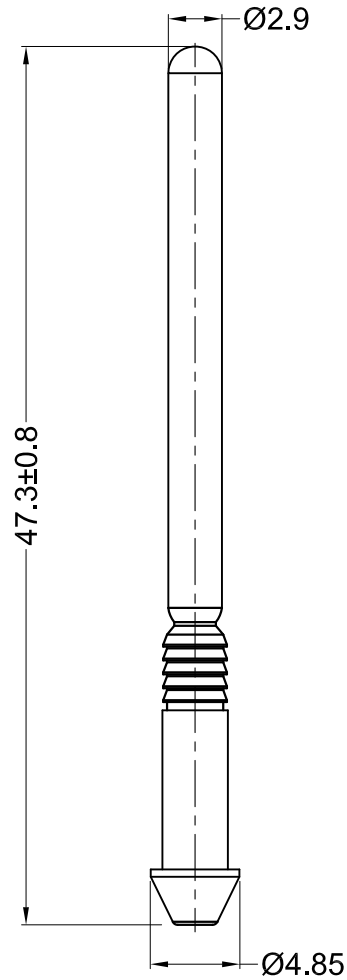
- 1.Material:PA6 UL94V2(Body)  
POM UL94HB(Pin);
- 2.Color:Black;
- 3.RoHS Compliant;
- 4.Hole:Ø6.6<sup>+0.1</sup><sub>0</sub>mm;  
Panel Thickness:2.5-5.0mm.

Gecko International Co.						DATE	2012-10-29	DIMENSION		TOLERANCE	
TITLE	BLIND RIVETS					SCALE	FIT	L ≤ 4	±0.10		
PART NAME	G49071780	MOLD NO.	S0614/615	DRAW	ZHR	UNIT	MM	4 < L ≤ 15	±0.20		
PART NO.	20888	MATERIAL	SEE NOTES	DESIGN	ZHR	VERSION	A0	15 < L ≤ 50	±0.30		
DWG NO.	E2215	COLOR	SEE NOTES	APPROVAL	FDL	VIEW		50 < L ≤ 100	±0.40		

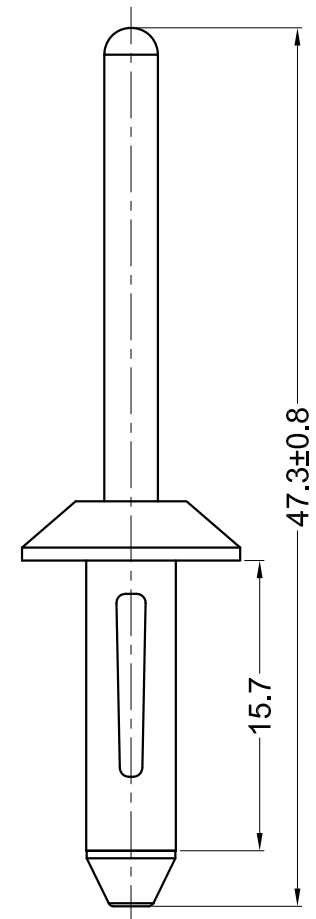
### Body



### Pin



### Assembly Part

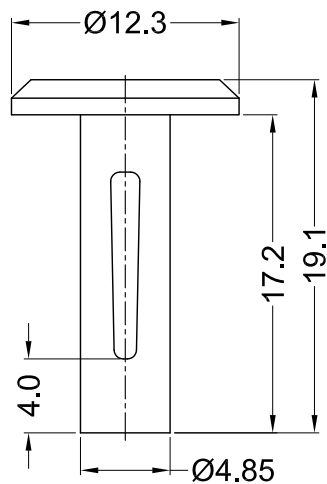


**Notes:**

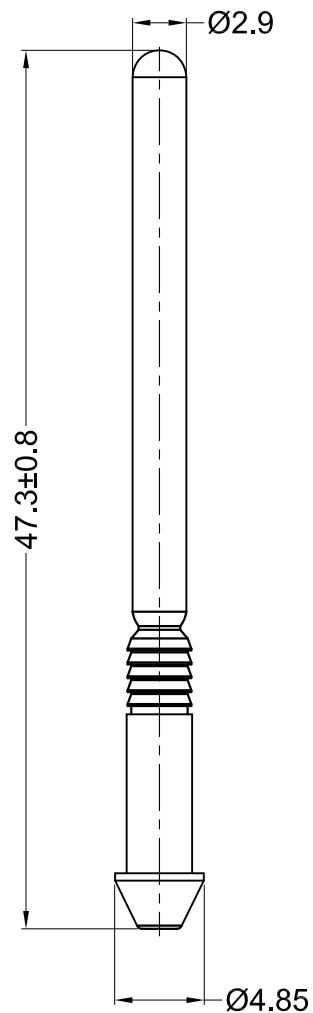
- 1. Material: PA6 UL94V2 (Body)  
POM UL94HB (Pin);
- 2. Color: Black;
- 3. RoHS Compliant;
- 4. Hole:  $\text{Ø}5.1_{-0}^{+0.1}$  mm;  
Panel Thickness: 2.0-5.0 mm.

Gecko International Co.						DATE	2021-9-13	DIMENSION		TOLERANCE	
TITLE	BLIND RIVETS					SCALE	FIT	L ≤ 4	±0.10		
PART NAME	GA-CR50-48-01	MOLD NO.	S0606/607	DRAW	JF	UNIT	MM	4 < L ≤ 15	±0.20		
PART NO.	20839	MATERIAL	SEE NOTES	DESIGN	JF	VERSION	A0	15 < L ≤ 50	±0.30		
DWG NO.	E2214	COLOR	SEE NOTES	APPROVAL	FDL	VIEW		50 < L ≤ 100	±0.40		

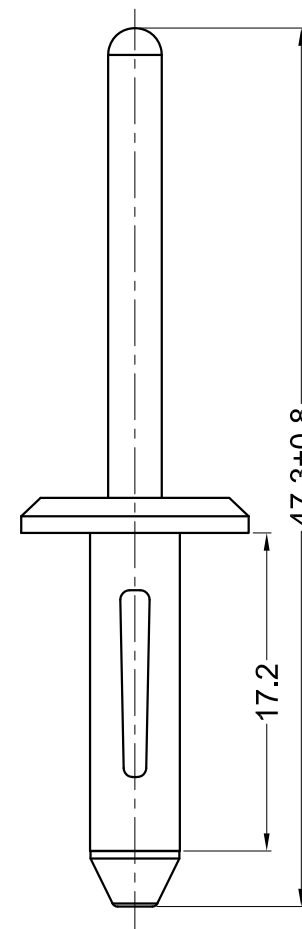
### Body



### Pin



### Assembly Part

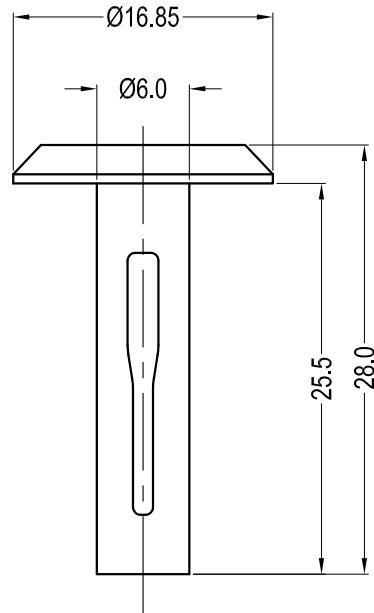


**Notes:**

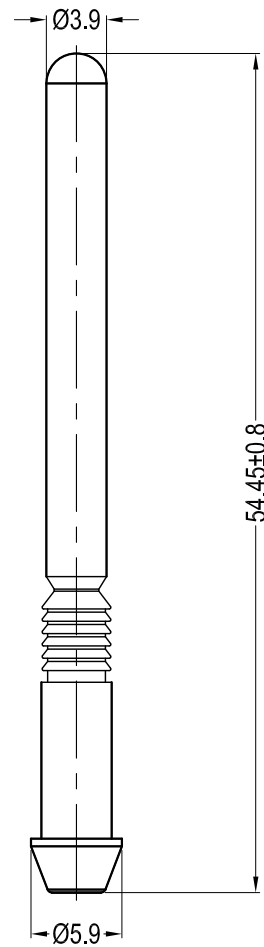
1. Material: PA6 UL94V2 (Body)  
POM UL94HB (Pin);
2. Color: Black;
3. RoHS Compliant;
4. Hole:  $\text{Ø}5.1_{-0}^{+0.1}$  mm;  
Panel Thickness: 3.1-5.5mm.

Gecko International Co.						DATE	2021-9-13	DIMENSION		TOLERANCE	
TITLE	BLIND RIVETS					SCALE	FIT	$L \leq 4$	$\pm 0.10$		
PART NAME	GA-CR50-48B-01	MOLD NO.	S0606/607	DRAW	JF	UNIT	MM	$4 < L \leq 15$	$\pm 0.20$		
PART NO.	20838	MATERIAL	SEE NOTES	DESIGN	JF	VERSION	A0	$15 < L \leq 50$	$\pm 0.30$		
DWG NO.	E2213	COLOR	SEE NOTES	APPROVAL	FDL	VIEW		$50 < L \leq 100$	$\pm 0.40$		

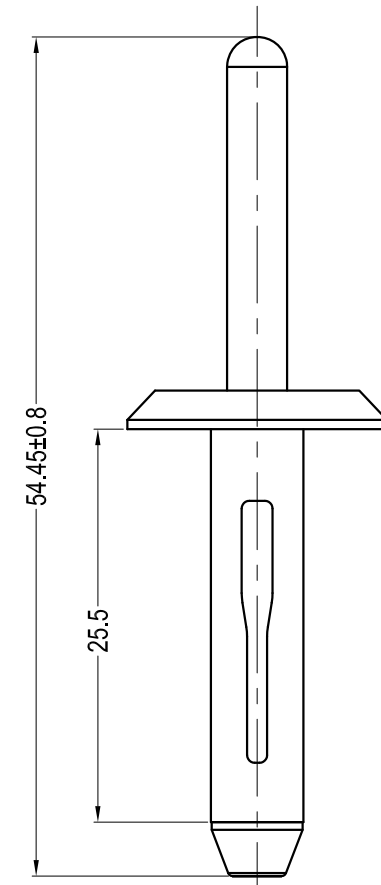
### Body



### Pin



### Assembly Part

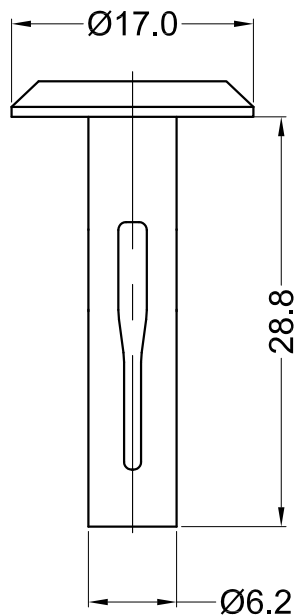


#### Notes:

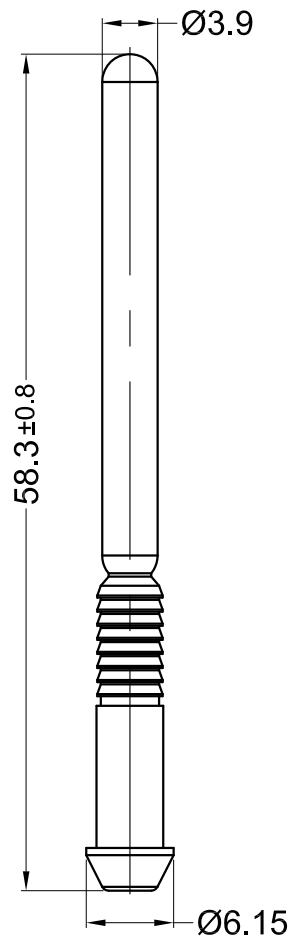
1. Material: PA6 UL94V2 (Body)  
POM UL94HB (Pin);
2. Color: Black;
3. RoHS Compliant;
4. Hole:  $\text{Ø}6.1^{+0.1}_0$  mm;  
Panel Thickness: 4.0-7.9 mm.

Gecko International Co.						DATE	2012-9-27	DIMENSION		TOLERANCE	
TITLE	BLIND RIVETS					SCALE	FIT	$L \leq 4$	$\pm 0.10$		
PART NAME	GA-CR58-54-01	MOLD NO.	S0648	DRAW	ZHR	UNIT	MM	$4 < L \leq 15$	$\pm 0.20$		
PART NO.	20891	MATERIAL	SEE NOTES	DESIGN	ZHR	VERSION	A0	$15 < L \leq 50$	$\pm 0.30$		
DWG NO.	E2223	COLOR	SEE NOTES	APPROVAL	FDL	VIEW		$50 < L \leq 100$	$\pm 0.40$		

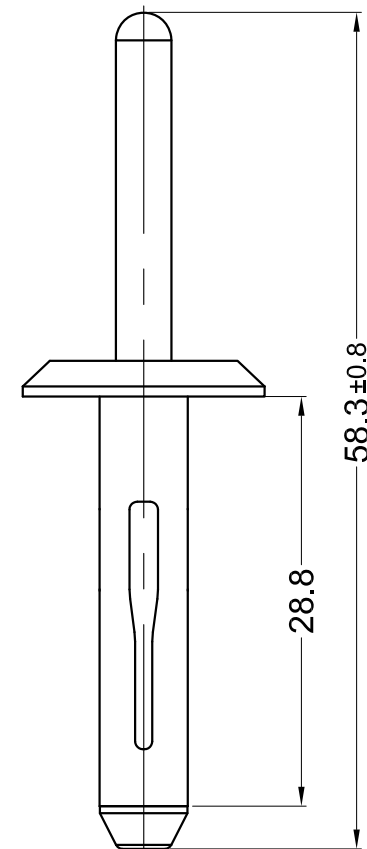
### Body



### Pin



### Assembly Part



**Notes:**

- 1. Material: PA6 UL94V2 (Body)  
POM UL94HB (Pin);
- 2. Color: Black;
- 3. RoHS Compliant;
- 4. Hole:  $\text{Ø}6.3^{+0.1}_0$  mm;  
Panel Thickness: 7.5-11.5 mm;

Gecko International Co.						DATE	2019-5-15	DIMENSION		TOLERANCE	
TITLE	BLIND RIVETS					SCALE	FIT	L ≤ 4	±0.10		
PART NAME	GA-CR62-54B-01	MOLD NO.	S0699/700	DRAW	FDL	UNIT	MM	4 < L ≤ 15	±0.20		
PART NO.	20727	MATERIAL	SEE NOTES	DESIGN	FDL	VERSION	A0	15 < L ≤ 50	±0.30		
DWG NO.	E2246	COLOR	SEE NOTES	APPROVAL	FDL	VIEW		50 < L ≤ 100	±0.40		