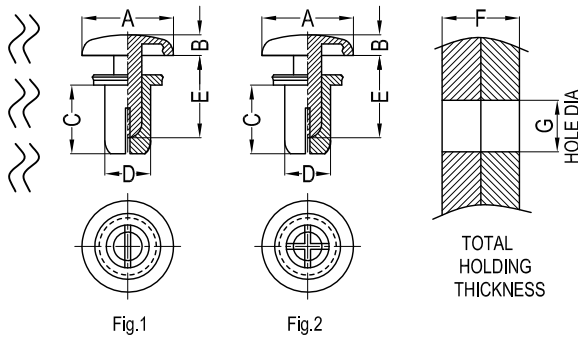


Shockproof Version



Notes:
1.RoHS Compliant.
2.Patent.

Material:PA6 UL94 V2 Color:Black / Natural / White		Material:PA66 UL94 V0 Color:Black		Hole Dia. G	Extraction Force Kgf(Min.)	F	A	B	C	D	E	Fig.
Part No.	Article No.	Part No.	Article No.									
21577/21575/21576	GRF2024B/N/W	21578	GRF2024BV0	2.1-2.2	3.0	0.6-1.2	4.2	1.2	2.4	2.0	2.8	1
21259/21261/21260	GRF2032B/N/W	21263	GRF2032BV0			1.3-2.0			3.2		3.8	
21582/21580/21581	GRF2040B/N/W	21583	GRF2040BV0			2.1-2.8			4.0		5.5	
21587/21585/21586	GRF2048B/N/W	21588	GRF2048BV0			2.9-3.6			4.8		7.2	
21492/21493/21494	GRF2056B/N/W	21495	GRF2056BV0			3.7-4.4			5.6			
21592/21590/21591	GRF2064B/N/W	21593	GRF2064BV0			4.4-5.2			6.4			
21597/21595/21596	GRF2632B/N/W	21598	GRF2632BV0	2.7-2.8	5.0	1.0-2.0	5.0	1.4	3.2	2.6	4.6	
21460/21462/21461	GRF2642B/N/W	21464	GRF2642BV0			2.0-3.0			4.2		6.2	
21602/21600/21601	GRF2648B/N/W	21603	GRF2648BV0			2.7-3.6			4.8		7.8	
21343/21345/21344	GRF2655B/N/W	21347	GRF2655BV0			3.4-4.3			5.5			
21607/21605/21606	GRF2664B/N/W	21608	GRF2664BV0			4.3-5.2			6.4			
21612/21610/21611	GRF2672B/N/W	21613	GRF2672BV0			5.1-6.0			7.2			
21047/21202/21203	GRF3035B/N/W	21200	GRF3035BV0	3.1-3.2	7.0	1.0-2.0	6.4	1.7	3.5	3.0	5.1	
21052/21053/21172	GRF3045B/N/W	21192	GRF3045BV0			2.0-3.0			4.5		6.1	
21568/21570/21569	GRF3050B/N/W	21571	GRF3050BV0			2.5-3.5			5.0		7.1	
21245/21247/21246	GRF3055B/N/W	21249	GRF3055BV0			3.0-4.0			5.5		9.0	
21233/21235/21234	GRF3065B/N/W	21237	GRF3065BV0			4.0-5.0			6.5		11.0	
21264/21266/21265	GRF3075B/N/W	21268	GRF3075BV0			5.0-6.0			7.5		15.5	
21354/21356/21355	GRF3080B/N/W	21358	GRF3080BV0			5.5-6.5			8.0		24.0	
21367/21369/21368	GRF3090B/N/W	21371	GRF3090BV0			6.5-7.5			9.0			
21274/21276/21275	GRF3100B/N/W	21278	GRF3100BV0			7.5-8.5			10.0			
21617/21615/21616	GRF3145B/N/W	21618	GRF3145BV0			11.5-13.0			14.5			
21521/21523/21522	GRF3230B/N/W	21525	GRF3230BV0			20.5-21.5			23.0			
21622/21620/21621	GRF3535B/N/W	21623	GRF3535BV0			1.2-2.1			3.5		5.1	
21627/21625/21626	GRF3545B/N/W	21628	GRF3545BV0	2.1-3.0	4.5	6.1						
21632/21630/21631	GRF3550B/N/W	21633	GRF3550BV0	2.7-3.6	5.0	7.1						
21475/21470/21469	GRF3555B/N/W	21472	GRF3555BV0	3.0-4.0	5.5	9.0						
21250/21252/21251	GRF3560B/N/W	21254	GRF3560BV0	3.7-4.6	6.0	11.0						
21637/21635/21636	GRF3570B/N/W	21638	GRF3570BV0	4.5-5.5	7.0	14.0						
21269/21271/21270	GRF3580B/N/W	21273	GRF3580BV0	5.5-6.5	8.0	16.6						
21279/21281/21280	GRF4040B/N/W	21283	GRF4040BV0	4.1-4.2	15.0	1.7-2.5	8.0	1.8	4.0	4.0	5.1	2
21500/21502/21501	GRF4050B/N/W	21503	GRF4050BV0			2.5-3.5			5.0		7.1	
21422/21424/21423	GRF4055B/N/W	21425	GRF4055BV0			3.0-4.0			5.5		9.0	
21429/21431/21430	GRF4060B/N/W	21432	GRF4060BV0			3.5-4.5			6.0		11.0	
21173/21204/21205	GRF4070B/N/W	21201	GRF4070BV0			4.5-5.5			7.0		14.0	
21050/21051/21180	GRF4080B/N/W	21193	GRF4080BV0			5.5-6.5			8.0		16.6	
21008/21054/21181	GRF4090B/N/W	21194	GRF4090BV0			6.5-7.5			9.0			
21048/21049/21182	GRF4100B/N/W	21195	GRF4100BV0			7.5-8.5			10.0			
21284/21286/21285	GRF4120B/N/W	21288	GRF4120BV0			9.0-10.5			12.0			
21656/21658/21657	GRF4140B/N/W	21660	GRF4140BV0			11.0-12.0			14.0			
21362/21364/21363	GRF4155B/N/W	21366	GRF4155BV0			12.5-14.0			15.5			
21304/21306/21305	GRF5045B/N/W	21308	GRF5045BV0			5.1-5.2			20.0		1.5-2.5	
21309/21311/21310	GRF5055B/N/W	21313	GRF5055BV0	2.5-3.5	5.5		8.5					
21223/21225/21224	GRF5065B/N/W	21227	GRF5065BV0	3.5-4.5	6.5		10.5					
21228/21230/21229	GRF5075B/N/W	21232	GRF5075BV0	4.5-5.5	7.5		12.0					
21292/21294/21293	GRF5085B/N/W	21296	GRF5085BV0	5.5-6.5	8.5		14.0					
21297/21299/21298	GRF5095B/N/W	21301	GRF5095BV0	6.5-7.5	9.5		16.6					
21094/21102/21183	GRF5105B/N/W	21196	GRF5105BV0	7.5-8.5	10.5							
21095/21103/21184	GRF5865B/N/W	21197	GRF5865BV0	3.0-4.5	5.8		9.0					
21100/21104/21185	GRF6060B/N/W	21198	GRF6060BV0	2.5-4.0	2.5		6.0					
21101/21105/21186	GRF6080B/N/W	21199	GRF6080BV0	3.5-5.5	3.0		8.0					
21483/21485/21484	GRF6140B/N/W	21486	GRF6140BV0	7.5-8.5	14.0		14.0					

Gecko International Co.

DATE

2022-11-28

DIMENSION

TOLERANCE

TITLE SHOCKPROOF SNAP RIVETS

SCALE

FIT

L ≤ 4

±0.10

ARTICLE NO.

GRF

MOLD NO.

/

DRAW

JF

UNIT

MM

4 < L ≤ 15

±0.20

PART NO.

SEE TABLE

MATERIAL

SEE TABLE

DESIGN

JF

VERSION

A0

15 < L ≤ 50

±0.30

DWG NO.

E2116

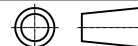
COLOR

SEE TABLE

APPROVAL

FDL

VIEW



50 < L ≤ 100

±0.40