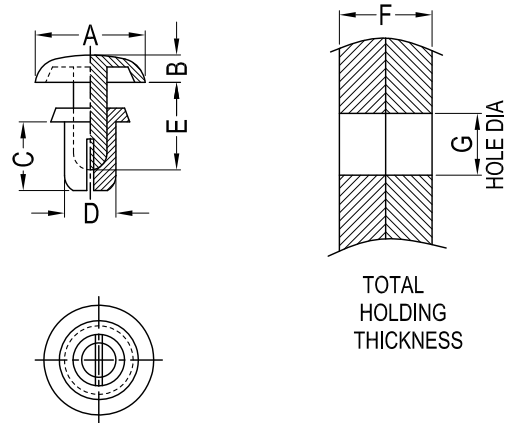


REV	DESCRIPTION	DATE	CHECK
A1	Change Extraction Force	2016-2-27	FDL

Notes:
RoHS Compliant.



TOTAL
HOLDING
THICKNESS

Material:PA6 UL94 V2 Color:Black / White		Material:PA66 UL94 V0 Color:Black		Hole Dia. G	Extraction Force Kgf(Min.)	F	A	B	C	D	E
Part No.	Article No.	Part No.	Article No.								
20000/20002	GR2024B/W	20001	GR2024BV0	2.1-2.2	3.0	0.6-1.2	4.2	1.2	2.4	2.0	2.8
20004/20006	GR2032B/W	20005	GR2032BV0			1.3-2.0			3.8		
20008/20010	GR2040B/W	20009	GR2040BV0			2.1-2.8			5.5		
20012/20014	GR2048B/W	20013	GR2048BV0			2.9-3.6			5.5		
20016/20018	GR2056B/W	20017	GR2056BV0			3.7-4.4			7.2		
20020/20022	GR2064B/W	20021	GR2064BV0			4.4-5.2					
20024/20026	GR2632B/W	20025	GR2632BV0	2.7-2.8	3.0	1.0-2.0	5.0	1.4	3.2	2.6	4.6
20032/20034	GR2642B/W	20033	GR2642BV0			2.0-3.0			4.2		
20037/20039	GR2648B/W	20038	GR2648BV0			2.7-3.6			4.8		
20041/20043	GR2655B/W	20042	GR2655BV0			3.4-4.3			6.2		
20045/20047	GR2664B/W	20046	GR2664BV0			4.3-5.2			7.8		
20049/20051	GR2672B/W	20050	GR2672BV0			5.1-6.0			7.8		
20053/20055	GR3035B/W	20054	GR3035BV0	3.1-3.2	7.0	1.0-2.0	6.4	1.6	3.5	3.0	5.1
20058/20060	GR3045B/W	20059	GR3045BV0			2.0-3.0			4.5		
20916/20915	GR3050B/W	20917	GR3050BV0			2.5-3.5			5.0		
20067/20069	GR3055B/W	20068	GR3055BV0			3.0-4.0			5.5		
20071/20073	GR3065B/W	20072	GR3065BV0			4.0-5.0			6.5		
20079/20081	GR3075B/W	20080	GR3075BV0			5.0-6.0			7.5		
20092/20094	GR3080B/W	20093	GR3080BV0			5.5-6.5			8.0		
20100/20102	GR3090B/W	20101	GR3090BV0			6.5-7.5			9.0		
20104/20106	GR3100B/W	20105	GR3100BV0			7.5-8.5			10.0		
20108/20726	GR3145B/W	20748	GR3145BV0			11.5-13.0			14.5		
20109/20111	GR3230B/W	20110	GR3230BV0			20.5-21.5			23.0		

Gecko International Co.

DATE

2021-11-4

DIMENSION

TOLERANCE

TITLE

SNAP RIVETS

SCALE

FIT

$L \leq 4$

± 0.10

ARTICLE NO.

GR1

MOLD NO.

/

DRAW

JF

UNIT

MM

$4 < L \leq 15$

± 0.20

PART NO.

SEE TABLE

MATERIAL

SEE TABLE

DESIGN

JF

VERSION

A1

$15 < L \leq 50$

± 0.30

DWG NO.

/

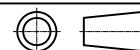
COLOR

SEE TABLE

APPROVAL

FDL

VIEW

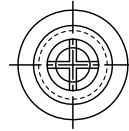
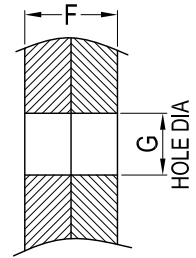
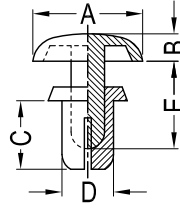


$50 < L \leq 100$

± 0.40

REV	DESCRIPTION	DATE	CHECK
A1	Change Extraction Force	2016-2-27	FDL

Notes:
RoHS Compliant.



TOTAL
HOLDING
THICKNESS

Material:PA6 UL94 V2 Color:Black / White		Material:PA66 UL94 V0 Color:Black		Hole Dia. G	Extraction Force Kgf(Min.)	F	A	B	C	D	E						
Part No.	Article No.	Part No.	Article No.														
20909/20933	GR3055-SPB/W	20934	GR3055-SPBV0	3.1-3.2	7.0	3.0-4.0	6.4	1.6	5.5	3.5	6.1						
20113/20115	GR3535B/W	20114	GR3535BV0	3.6-3.7	7.0	1.2-2.1			3.5		5.1						
20117/20119	GR3545B/W	20118	GR3545BV0			2.1-3.0			4.5		6.1						
20122/20124	GR3550B/W	20123	GR3550BV0			2.7-3.6			5.0		6.1						
20128/20130	GR3555B/W	20129	GR3555BV0			3.0-4.0			5.5		7.1						
20133/20135	GR3560B/W	20134	GR3560BV0			3.7-4.6			6.0		7.1						
20137/20139	GR3570B/W	20138	GR3570BV0			4.5-5.5			7.0		9.0						
20145/20147	GR3580B/W	20146	GR3580BV0			5.5-6.5			8.0		9.0						
20793/20918	GR4040-SPB/W	20919	GR4040-SPBV0			4.1-4.2	15.0	1.7-2.5	8.0	1.8	4.0	4.0	5.0				
20149/20151	GR4050B/W	20150	GR4050BV0	2.5-3.5	5.0			7.1									
20920/20914	GR4055B/W	20921	GR4055BV0	3.0-4.0	5.5												
20162/20164	GR4060B/W	20163	GR4060BV0	3.5-4.5	6.0												
20172/20174	GR4070B/W	20173	GR4070BV0	4.5-5.5	7.0						9.0						
20179/20181	GR4080B/W	20180	GR4080BV0	5.5-6.5	8.0						9.0						
20183/20185	GR4090B/W	20184	GR4090BV0	6.5-7.5	9.0						11.0						
20190/20192	GR4100B/W	20191	GR4100BV0	7.5-8.5	10.0						11.0						
20197/20199	GR4120B/W	20198	GR4120BV0	9.0-10.5	12.0						14.0						
20201/20743	GR4155B/W	20749	GR4155BV0	12.5-14.0	15.5						16.6						
20202/20204	GR5045B/W	20203	GR5045BV0	5.1-5.2	20.0						1.5-2.5		9.0	2.2	4.5	5.0	6.5
20206/20208	GR5055B/W	20207	GR5055BV0								2.5-3.5				5.5		6.5
20210/20212	GR5065B/W	20211	GR5065BV0			3.5-4.5	6.5		8.5								
20221/20223	GR5075B/W	20222	GR5075BV0			4.5-5.5	7.5	8.5									
20231/20233	GR5085B/W	20232	GR5085BV0			5.5-6.5	8.5	10.5									
20237/20239	GR5095B/W	20238	GR5095BV0			6.5-7.5	9.5	10.5									
20241/20243	GR5105B/W	20242	GR5105BV0			7.5-8.5	10.5	12.0									
20245/20247	GR5865B/W	20246	GR5865BV0			5.9-6.0	20.0	3.0-4.5	12.0	2.7	6.3	5.8			9.0		
20249/20251	GR6060B/W	20250	GR6060BV0	6.1-6.2	30.0	2.5-4.0	2.5	6.0		9.0							
20253/20255	GR6080B/W	20254	GR6080BV0			3.5-5.5	3.0	8.0		6.0	10.0						
21091/21092	GR6026B/W	21093	GR6026BV0			21.5-23.5		26.0			28.0						
21097/21098	GR6028B/W	21099	GR6028BV0			23.5-25.5	28.5	30.5									

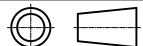
Gecko International Co.

DATE

2021-11-4

DIMENSION

TOLERANCE

TITLE	SNAP RIVETS					SCALE	FIT	L ≤ 4	±0.10
ARTICLE NO.	GR2	MOLD NO.	/	DRAW	JF	UNIT	MM	4 < L ≤ 15	±0.20
PART NO.	SEE TABLE	MATERIAL	SEE TABLE	DESIGN	JF	VERSION	A1	15 < L ≤ 50	±0.30
DWG NO.	/	COLOR	SEE TABLE	APPROVAL	FDL	VIEW		50 < L ≤ 100	±0.40